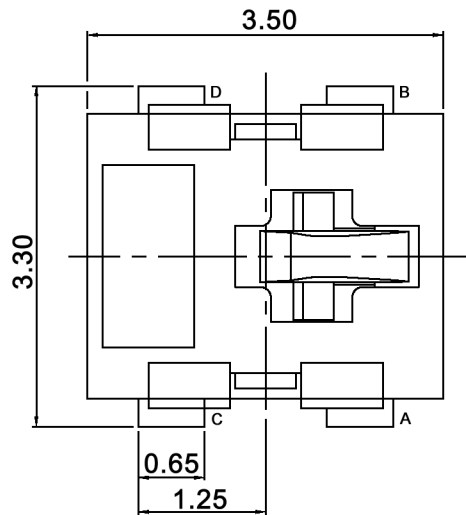
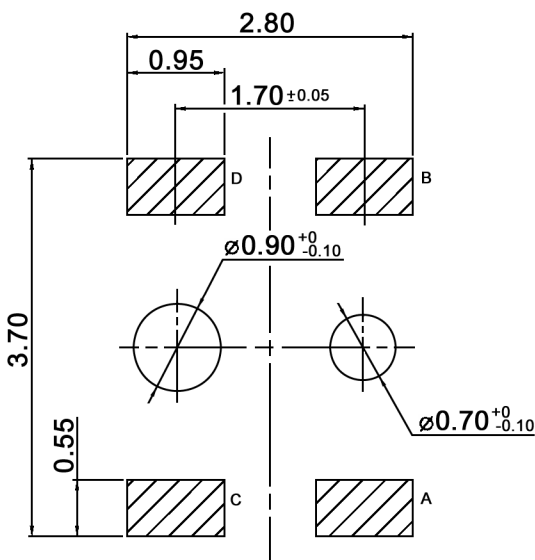
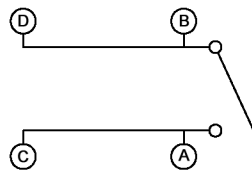


P.C.B. LAYOUT  
(VIEW FROM THE DIRECTION A)



CIRCUIT DIAGRAM



Tolerances: ±0.30mm	Date	Name
	02/14	dr
Modifications	Date	Name

**DTS 204 CP T**

**knitter-switch**

**30 30 24**

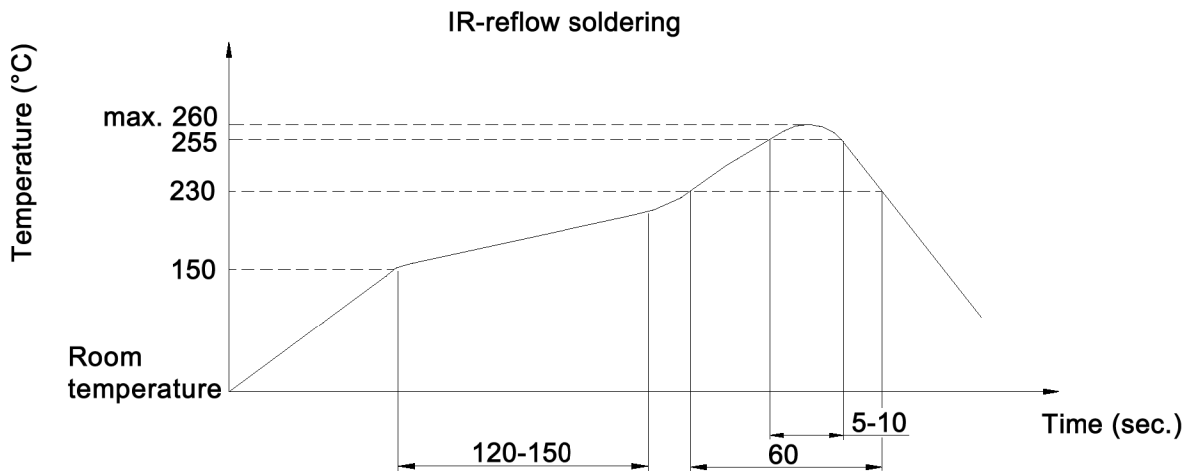
Page

1/2

**Specifications:**

Contact rating: 0.1mA-100mA, 20mV-5V DC  
 Contact resistance: 500mOhm max.  
 Insulation resistance: 100MOhm min. at 250V DC for 1 minute +/-5sec.  
 Dielectric strength: 250V AC (50/60Hz) for 1 minute  
 Operating temperature: -15°C to +70°C  
 Storage temperature: -40°C to +85°C  
 Electrical life: 80 000 cycles min.  
 Operating force: 35gf max.  
 Material: Stem / cover / base: high-temp. thermoplastic nylon, molded black,  
 UL-No.: E41938  
 Contact: stainless steel, silver plated  
 Terminal: phosphor bronze, 1.0µm silver plated

**Soldering conditions:**



Tolerances: ±0.30mm	Date	Name
	02/14	dr
Modifications	Date	Name

**DTS 204 CP T**

**knitter-switch**

**30 30 24**

Page

2/2